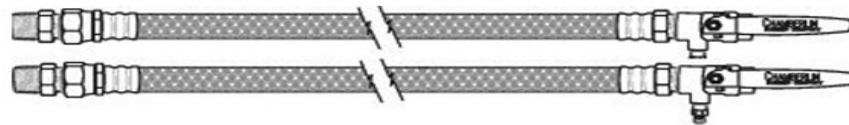


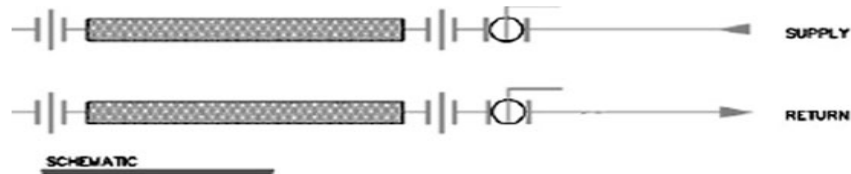
ChamFlex® Hose Kit #1

Job: _____	Representative: _____
Unit Tag: _____	Order No.: _____ Date: _____
Engineer: _____	Submitted By: _____ Date: _____
Contractor: _____	Approved By: _____ Date: _____

ChamFlex® Hose Kit #1 is made using ChamFlex® UL-94 VO rated hose for sizes 1/2" - 1 1/4". Assemblies are male pipe x male pipe swivel adapter. For 1 1/2" and 2" hose kits our All metal Stainless Steel Braided Hose is used. These assemblies are male pipe x male pipe union. Supply and Return both have 600 WOG brass bodied ball valves with one test port on each valve and memory stops on each end. *All valves and adapters are attached hand tight only.*



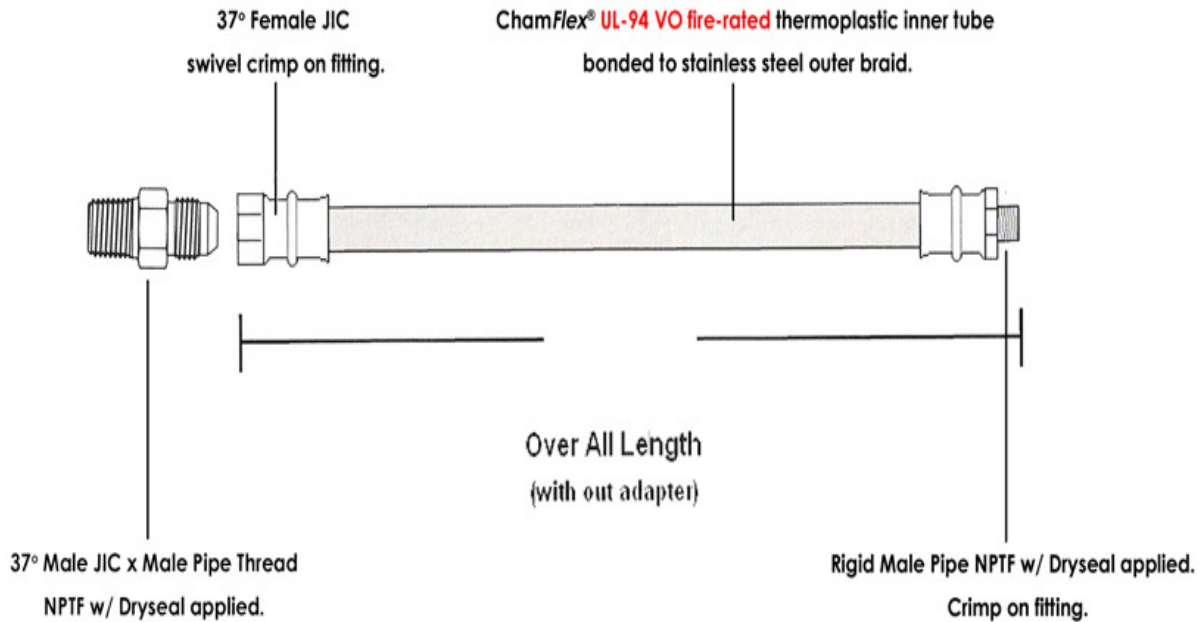
KIT COMPONENTS



Supply: Hose, ball valve with pt. port and memory stop.
Return: Hose, ball valve with pt. port and memory stop.

Assembly Specs.	ChamFlex® Hose 1/2"	ChamFlex® Hose 3/4"	ChamFlex® Hose 1"	ChamFlex® Hose 1 1/4"	S. S. All Metal Hose 1 1/2"	S. S. All Metal Hose 2"
Working Pressure	400 PSI	400 PSI	500 PSI	400 PSI	300 PSI	300 PSI
Minimum Burst at Ambient Temp. (70°)	1600 PSI	1600 PSI	2000 PSI	1600 PSI	1200 PSI (Hose Only)	1200 PSI (Hose Only)
Minimum Bend Radius	2.5"	4"	5.5"	10"	10"	14"
Hose OD (approximate)	.700	.975	1.245	1.58	1.95	2.53
Temperature Range	-40° F to 212° F	-40° F to 212° F	-40° F to 212° F	-40° F to 212° F	-40° F to 450° F	-40° F to 450° F

ChamFlex® Single Hose Assembly



Hoses can be cut to custom length requirements.

Minimum length for 1/2" and 3/4" hose is 6" with 1" increments.

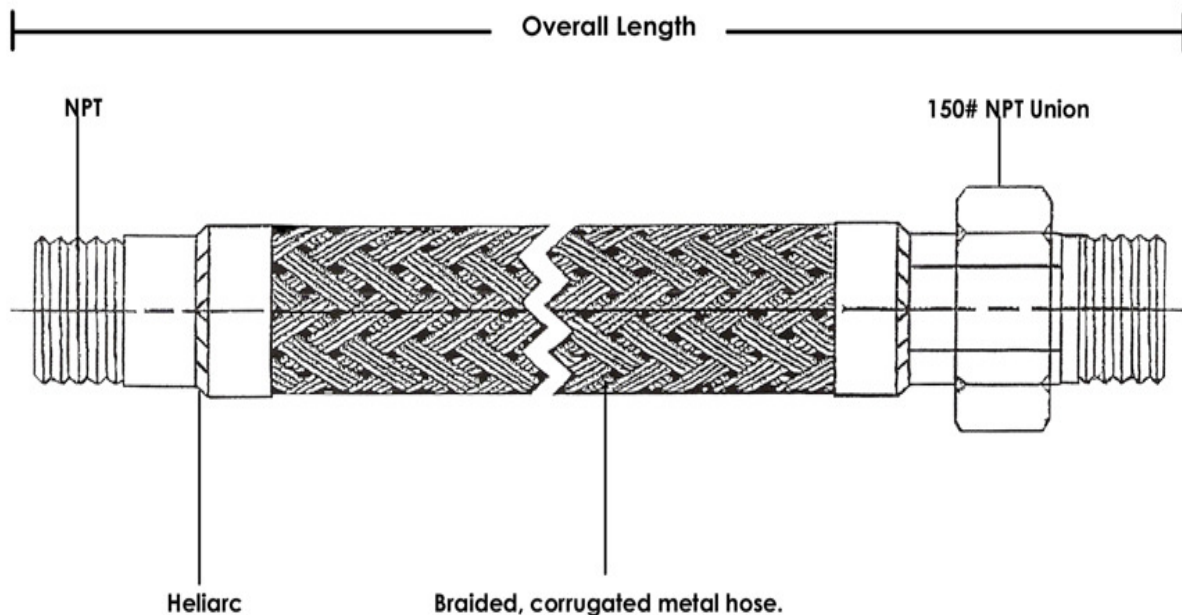
Minimum length for 1" and 1 1/4" hose is 9" with 1" increments.

WARNING: To insure proper installation, this hose assembly must be installed according to instructions included with shipment. Instructions are also available online at www.chamberlinrubber.com.

ChamFlex® Advantage

- ChamFlex® tube compound is UL-94 VO tested and approved. **Highest fire rating in the industry.*
- Superior abrasion resistant properties from our 302/304 stainless steel wire braid.
- The washer-less design of the swivel end provides you with ease of installation.
- Superior water flow capabilities, due to excellent flexibility of the hose, which also minimizes the possibility of kinking.
- All male pipe threads are shipped with thread sealant already applied (eliminating the need for Teflon® tape), capped and ready for installation.
- The permanently installed (crimped) end fittings eliminate the possibility of bands or clamps loosening and creating leaks.
- Plated steel fittings and adapters reduce the possibility of over-torquing, a common problem with brass and other soft metals.
- ChamFlex® hose assemblies and kits comply with requirements for both the "Buy American Act" and for fund appropriated under the "American Recovery and Reinvestment Act of 2009".

All Metal Stainless Steel Braided Hose Assembly



Hose can be cut to custom length requirements.

Minimum length 12" with 1" increments.

Please Note: All Metal Stainless Steel Braided hose is measured end to end with union.

WARNING: To insure proper installation, this hose assembly must be installed according to instructions included with shipment. Instructions are also available online at www.chamberlinrubber.com.

This all metal hose is a 321 stainless steel with a 304 stainless steel braid.

- All male pipe threads are shipped with thread sealant already applied (eliminating the need for Teflon® tape), capped and ready for installation.
- The permanently installed end fittings eliminate the possibility of ends or clamps loosening and creating leaks.
- Carbon steel fittings and union reduce the possibility of over-torquing, a common problem with brass and other soft metals.

ChamFlex® Hose Kit #1 Valve Information

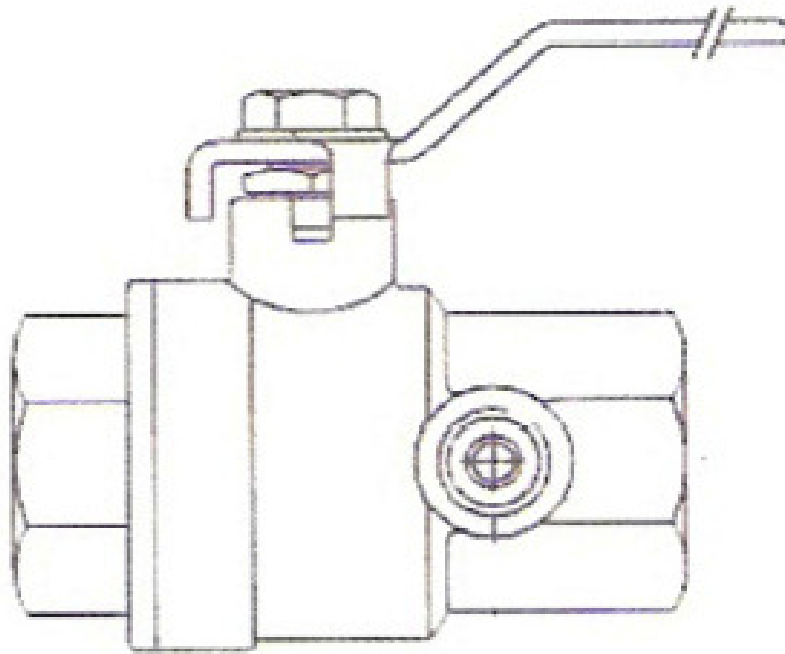
CR 1000 Series PT Port Brass Valve 600 PSI WOG

Description

A full port forged brass ball valve with a 1/4" NPT port for pressure or temperature taps. Ideal for heating system balancing.

Construction

Body	Brass
Ball	Brass, Hard Chrome Plate
Stem	Brass
O-Ring	Buna-N
Nut & Lock Washer	Zinc Plated Steel
Stem Packing	PTFE
Seat	PTFE
Gland Nut	Brass
Handle	Zinc Plated Steel, Plastic coated
End Cap	Brass

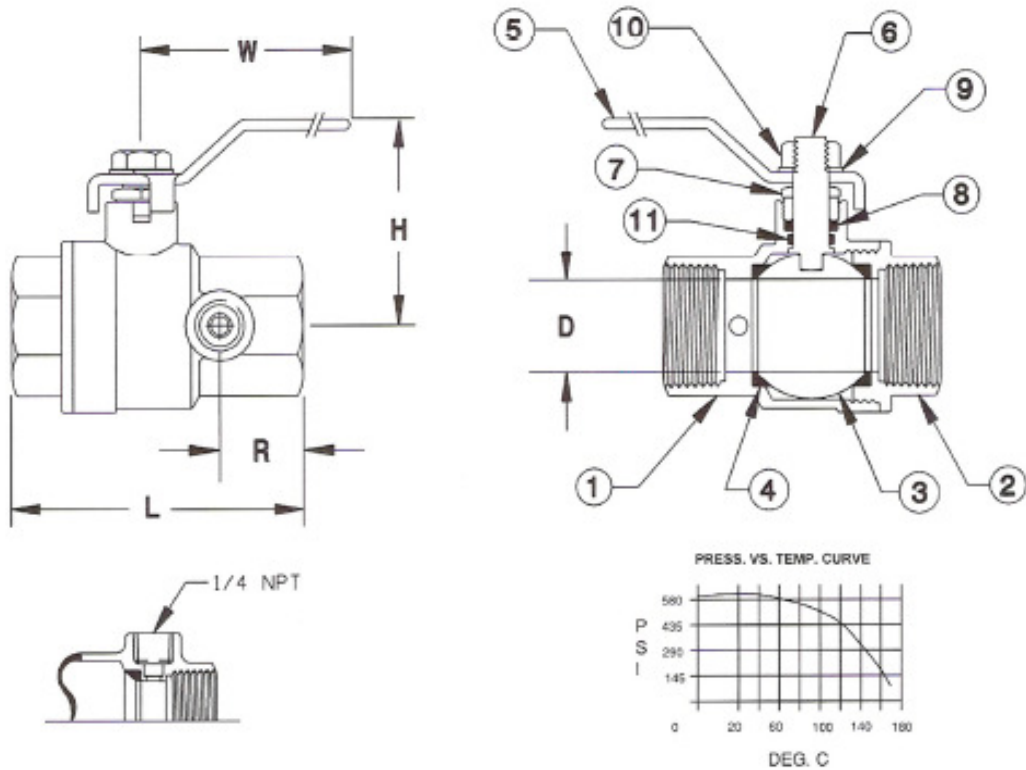


Supply: Hose, ball valve with pt. port and memory stop.

Return: Hose, ball valve with pt. port and memory stop.

WARNING: To insure proper installation this product must be installed in conformance with applicable building codes. Use of proper torque wrench is required.

CR 1000 Series PT Port Brass Ball Valve



DIMENSIONS

CAT. NO.	SIZE	L	D	H	R	W
CR0501000	1/2	2.48	.59	1.89	.76	3.65
CR0751000	3/4	2.69	.75	2.11	.77	4.65
CR1001000	1	3.15	1.00	2.45	.84	4.65
CR1251000	1 1/4	3.65	1.02	2.53	.92	5.62
CR1501000	1 1/2	4.09	1.57	2.80	.94	5.62
CR2001000	2	4.47	1.97	3.13	.95	5.62

MATERIAL LIST

NO.	PART NAME	MATERIALS
11	O-RING	BUNA-N
10	NUT	ZINC PLATED STEEL
9	LOCK WASHER	ZINC PLATED STEEL
8	STEM PACKING	PTFE
7	GLAND NUT	BRASS
6	STEM	BRASS
5	HANDLE	ZINC PLATED STEEL, PLASTICOATED
4	SEAT	PTFE
3	BALL	BRASS, HARD CHROME PLATE
2	END CAP	BRASS
1	BODY	BRASS